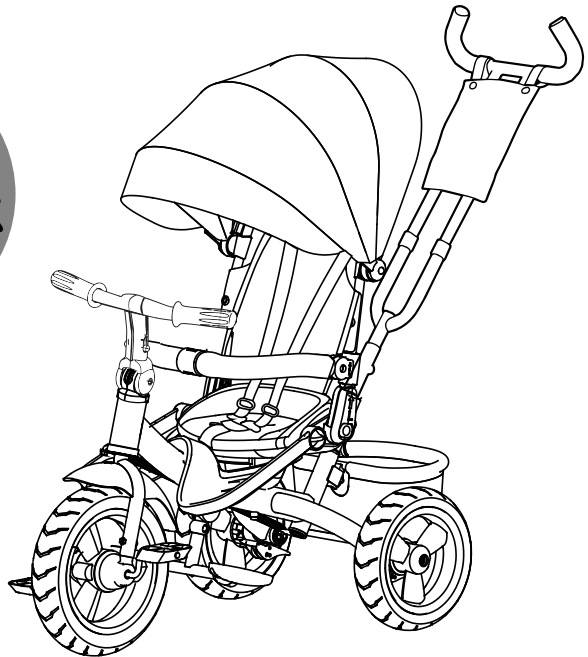


IMPORTANT! PLEASE READ CAREFULLY THIS INSTRUCTION MANUAL AND KEEP IT IN A SAFE PLACE FOR FUTURE REFERENCE!

INSTRUCTION MANUAL FOR KIDS' TOY TRICYCLE „MAX RELAX”

**TRICYCLE
MAX RELAX**



This **chipolino** product is produced in accordance with requirements of Toy safety Directive 2009/48/EC of the European Parliament and the Council, Regulation regarding Essential Requirements and Conformity Assessment of Toys, Regulation regarding Conformity Marking and the standards applicable for this toy.

**FOLLOW ALL WARNINGS, INSTRUCTIONS AND RECOMMENDATIONS IN THIS MANUAL
IN ORDER TO GUARANTEE THE SAFE USE OF THIS PRODUCT:**

CAUTION! WARNINGS!

- ❖ **CAUTION!** USE ONLY UNDER DIRECT ADULT SUPERVISION!
- ❖ **CAUTION!** THIS TOY HAS NO BRAKES!
- ❖ **CAUTION!** THE TOY IS **NOT** SUITABLE FOR CHILDREN UNDER 18 MONTHS!
- ❖ **CAUTION!** USE FOR CHILDREN 18 MONTHS AND UP WEIGHING UP TO 25kg.
- ❖ **CAUTION!** DO NOT USE FOR CHILDREN OVER 25KG – DANGER OF OVERLOADING THE TOY!
- ❖ **CAUTION!** BEFORE USING THE TRICYCLE, TEACH THE CHILD THE CORRECT WAY TO USE IT AND THE SAFETY RULES.
- ❖ **CAUTION!** USE THE TOY ONLY FOR ITS PURPOSE.
- ❖ **CAUTION!** USE THE TOY ONLY DURING THE DAY ON EVEN PLAYGROUNDS AND AT A SAFE DISTANCE FROM STREETS OR ROAD LANES FOR VEHICLES.
- ❖ **CAUTION!** TO AVOID THE DANGER OF INJURY ALWAYS REMOVE THE PUSH HANDLE WHENEVER THE CHILD IS RIDING THE TOY ON HIS OWN!
- ❖ **CAUTION!** KEEP AWAY FROM FIRE OR OTHER HEAT SOURCES!
- ❖ ONLY adult assembly of the TOY is required!
- ❖ **DO NOT** allow presence of children under 3 years before assembly of the TOY is complete. In this way, you will avoid their access to small or loose parts!
- ❖ The TOY is intended for one child at a time **ONLY!**
- ❖ **DO NOT** let other children push the tricycle!
- ❖ The TOY is **NOT** suitable for running or skating!
- ❖ **DO NOT** use the TOY if you find missing or damaged parts.
- ❖ **DO NOT** let the child stand on the footrest or the seat to avoid injury.
- ❖ The child must wear shoes when using the TOY!
- ❖ **DO NOT** tie strings or accessories to the TOY in order to avoid the risk of suffocation.
- ❖ **DO NOT** place more than 0,5 kg load in the storage basket.
- ❖ **DO NOT** put items or luggage in the handle bar or the parent handle in order to avoid risk of injury resulting from the TOY's instability and tipping over!
- ❖ **DO NOT** place items or heavy objects in the TOY or on it during storage or transportation to avoid damage to the frame.
- ❖ **DO NOT** use another transport means to move the TOY by pulling it.
- ❖ **DO NOT** allow the child using the TOY or other children around it to touch the wheels or put items in them.
- ❖ Use away from rivers, pools, stairs or hurdles!
- ❖ Do not make changes or modifications to the **TOY** frame! If necessary, contact the retailer or an authorized service center for advice and repair.
- ❖ Use only spare parts, which are approved by the producer and recommended by the distributor or company service! The producer revokes all responsibility in case parts different from the original ones have been used.
- ❖ Keep nylon packages away from children to avoid risk of suffocation!

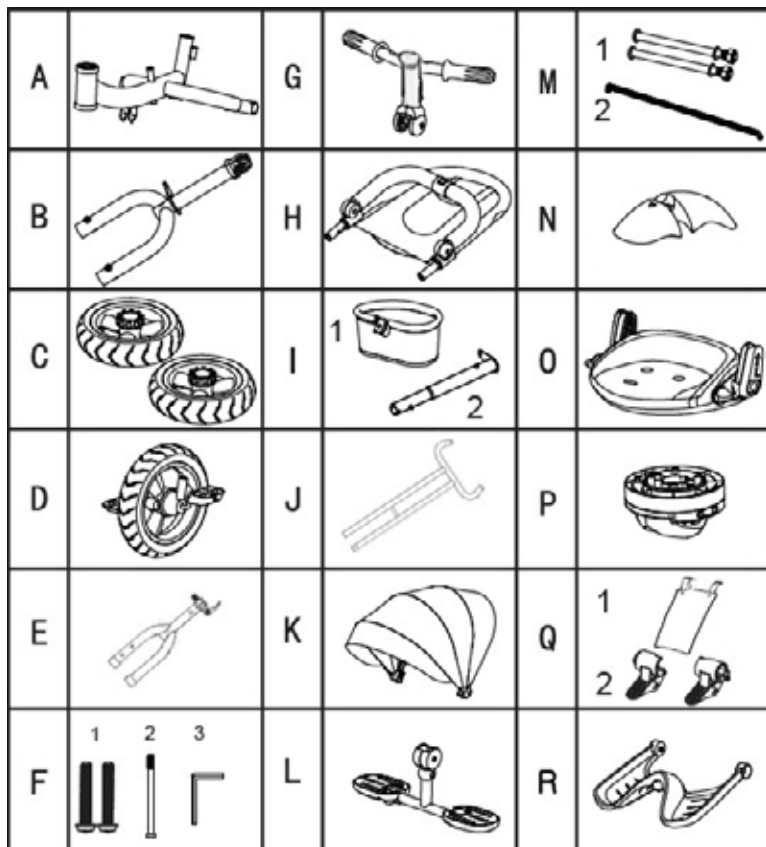
PRODUCT FEATURES

This is a functional TOY whose purpose is to create in the child initial skills to coordinate its arms and feet when riding a tricycle or bicycle.

IMPORTANT! Remove the parent handle when you are sure that the child can ride the tricycle on his own and unaided.

- ❖ Suitable for children older than 18 months with weight up to 25 kg;
- ❖ Can be driven by the child using the pedals;
- ❖ Can be pushed by an adult and the child lays his feet on the foot rest;
- ❖ Two positions of the seat – FORWARD facing and FACE-TO-FACE mode;
- ❖ Safety bumper;
- ❖ Adjustable foot rest;
- ❖ Adjustable canopy;
- ❖ Adjustable backrest;
- ❖ Storage basket;
- ❖ 3-point safety harness.

MAIN PARTS



A	Frame	J	Upper part of parent handle
B	Front fork	K	Canopy
C	Rear wheels	L	Leg rest
D	Front wheel	M	1 – Rear axles 2 – Operating axle
E	Lower part of parent handle	N	Mudguard
F	1 – Screw M8x38 2 – Screw M8x120 3 - Allen wrench 6 mm	O	Seat
G	Steering bar	P	Attachment base for the seat
H	Backrest with front bumper	Q	1 – Accessory bag 2 – Устройство за паркиране
I	1 –Storage basket 2 – Connecting tube	R	Front leg rest

Please, make sure if these parts are in the package. Some of the parts may be pre-installed by the manufacturer.

ASSEMBLY INSTRUCTIONS

IMPORTANT! Follow exactly the instructions given for assembly and usage of the TOY and check the pictures.

IMPORTANT! AFTER EACH OPERATION, MAKE SURE THAT YOU HAVE FOLLOWED THE INSTRUCTIONS CORRECTLY AND THE FIXING IS STABLE!

CAUTION! The screws and nuts must be well tightened so they will not become loose. If they are loose, this may lead to dismantling of the tricycle and injury for the child.

Necessary tools: screwdriver, allen wrench, wrench. The tools are not included.

ASSEMBLY

1. ASSEMBLY OF THE MUDGUARD AND FRONT WHEEL TO FRONT FORK.
2. ASSEMBLY OF REAR WHEELS TO THE FRAME.
3. ASSEMBLY OF THE FORK WITH FRONT WHEEL (Step 1), STEERING BAR (Step 2) AND CONNECTING TUBE (Step 3) TO THE FRAME.
4. ASSEMBLY OF THE BACKREST TO THE SEAT (Step 1) ASSEMBLY OF THE LEG REST (Step 2).
5. ASSEMBLY OF FRONT LEG REST (Step 1) AND CANOPY (Step 2).
6. ASSEMBLY OF PARENT HANDLE, OPERATING AXEL AND STORAGE BASKET.

Step 1 – Assembly of down (E) and upper (J) part of parent handle

Step 2 – Assembly of parent handle to the frame

Step 3 – Assembly of the operating axel to the frame

Step 4 – Assemble of storage basket to the rear part of the frame and plastic screw

FUNCTIONS

7. FOLDING OF LEG REST.

ATTENTION! When you control the tricycle, use the leg rest in regular position, and then the child ride the tricycle, fold the leg rest.

8. PARKING DEVICE.

9. ADJUSTABLE BACKREST.

10. FOLDING AND UNFOLDING THE CANOPY.

11. OPERATING THE TRICYCLE BY PARENT HANDLE.

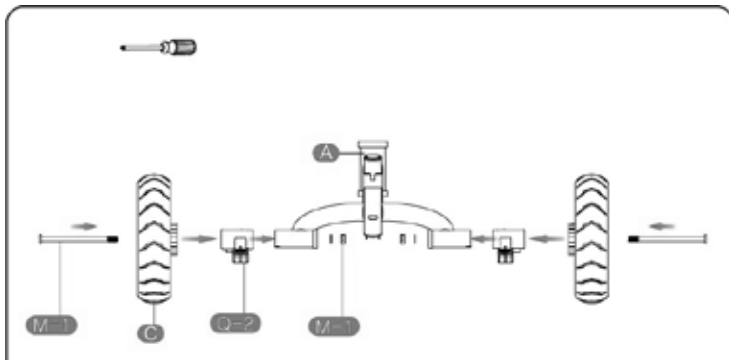
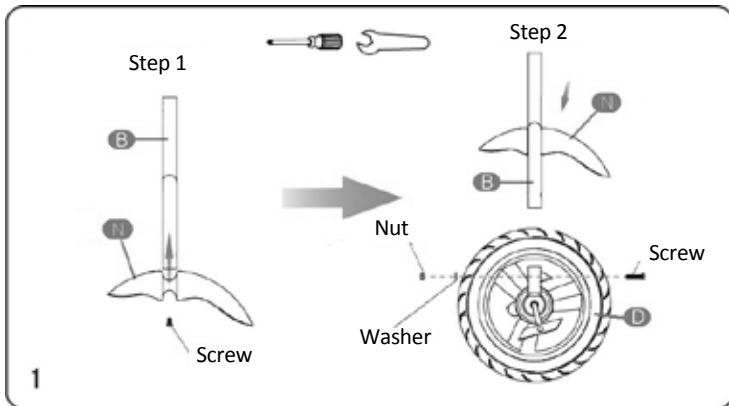
12. OPERATING THE TRICYCLE BY THE CHILD (parent handle should be removed).

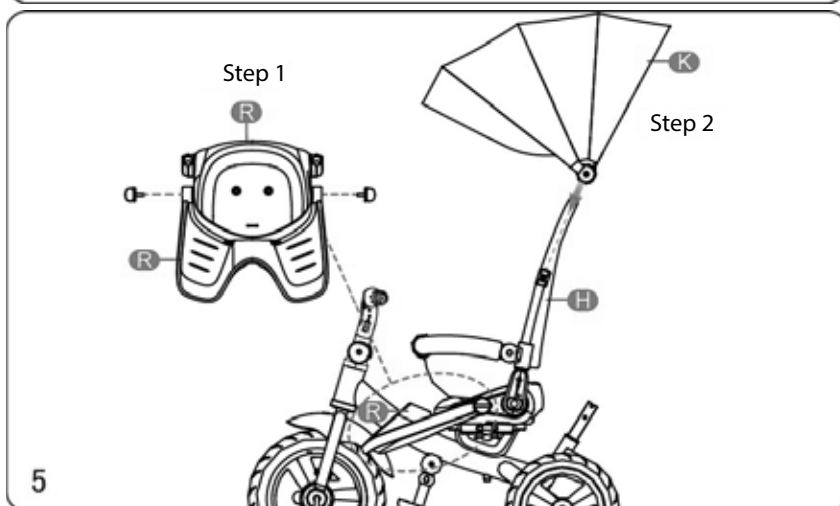
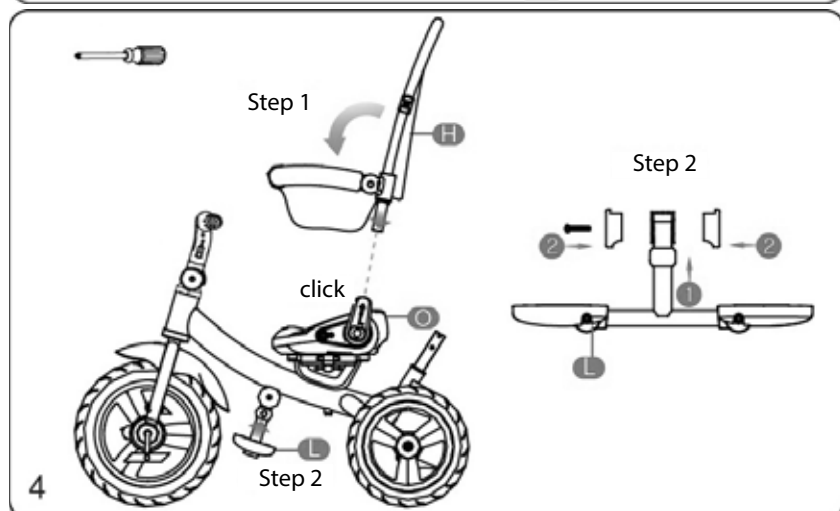
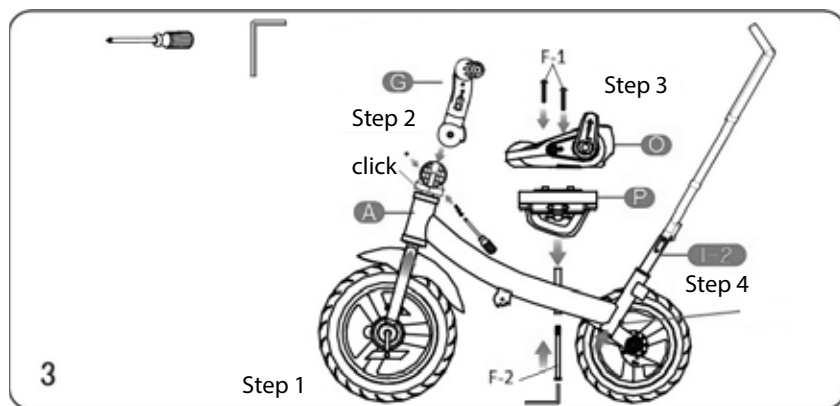
13. SEAT FUNCTIONS.

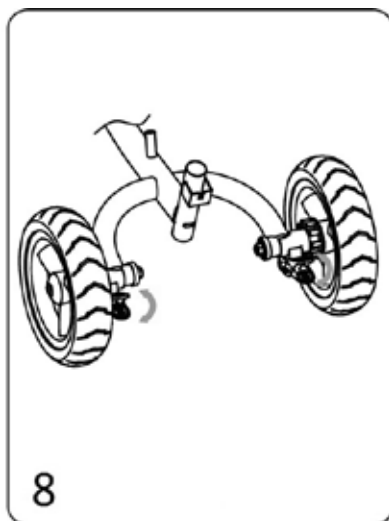
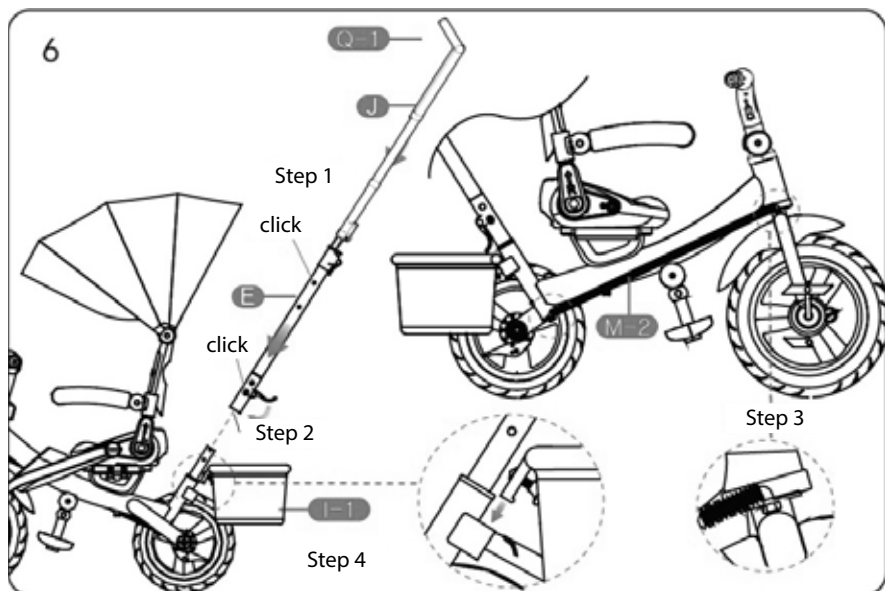
1

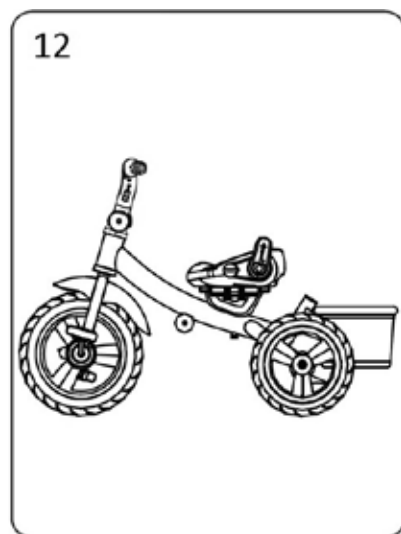
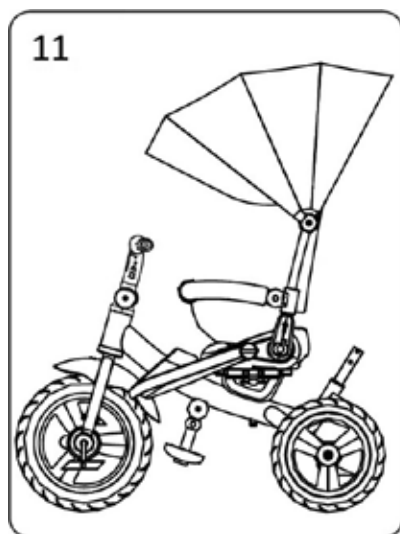
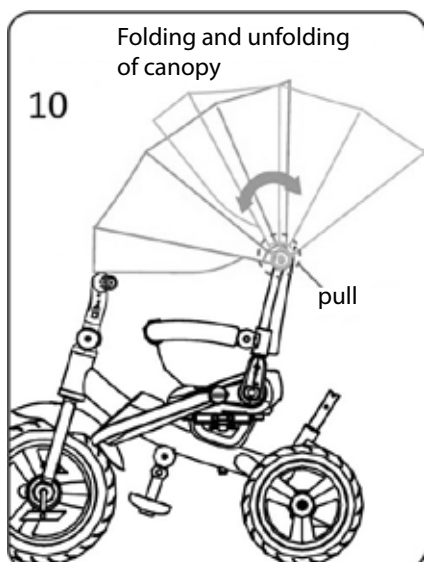
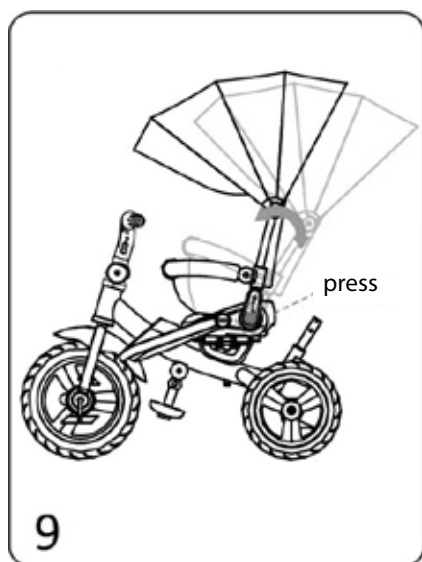
MAINTENANCE GUIDELINES

- ❖ Periodically check the good working order of the tricycle parts.
- ❖ Do not wash the TOY and do not soak the TOY in water. Use a soft damp cloth and water or neutral liquid detergent.
- ❖ Do not use aggressive detergents, containing abrasive particles, ammonia, bleach or spirits.

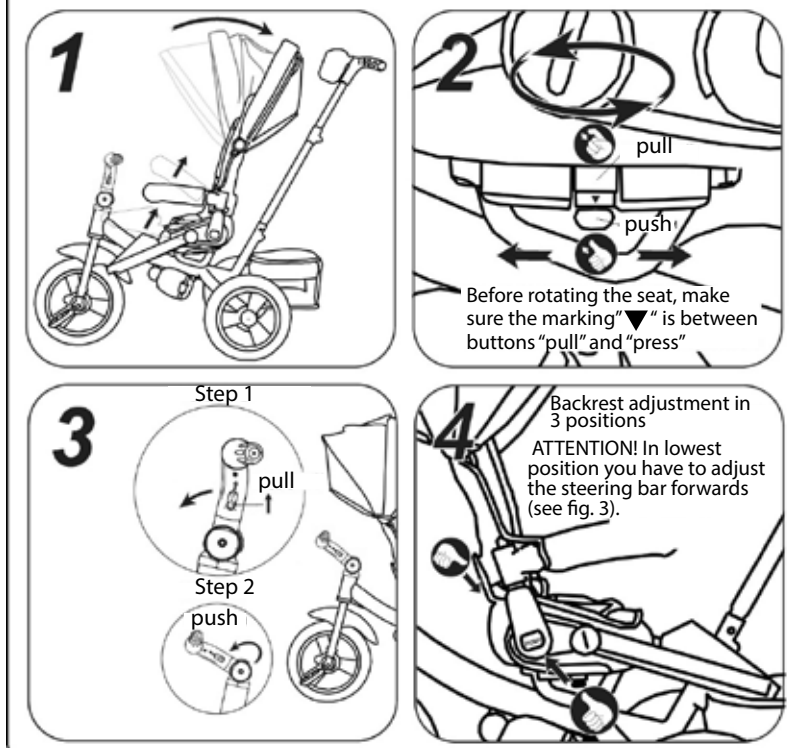








13. SEAT FUNCTIONS



MAINTENANCE GUIDELINES

- ❖ Periodically check the good working order of the tricycle parts.
- ❖ Do not wash the TOY and do not soak the TOY in water. Use a soft damp cloth and water or neutral liquid detergent.
- ❖ Do not use aggressive detergents, containing abrasive particles, ammonia, bleach or spirits.
- ❖ Regularly oil the moving parts.
- ❖ Do not use on sand.
- ❖ Do not store the TOY in hot environment or near strong sources of heat, in order to avoid the plastic parts from deforming.
- ❖ Store the TOY in clean and dry place indoors. Do not expose to direct sunlight, rain, high temperature intervals, moisture or harsh weather!
- ❖ Always let the TOY to dry out fully before storing or using it, in order to avoid mold and rust.
- ❖ Contact your authorized dealer if consultation or repair is needed.

Materials used: plastic, metal, textile.



TRKMRL01xxxx /T400

chipolino

Bulgaria, Plovdiv, Str. Golyamokonarsko shosse № 1
www.chipolino.com